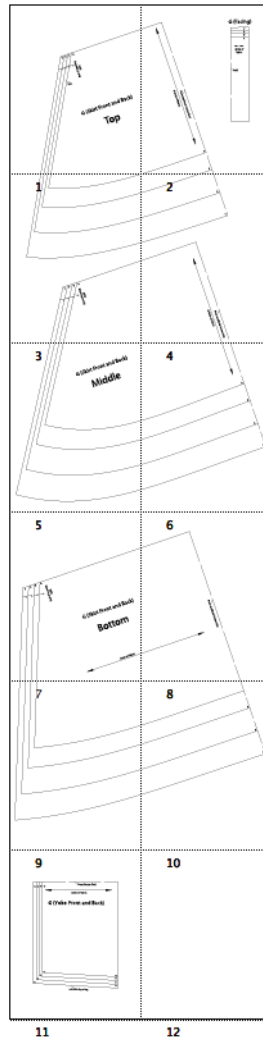


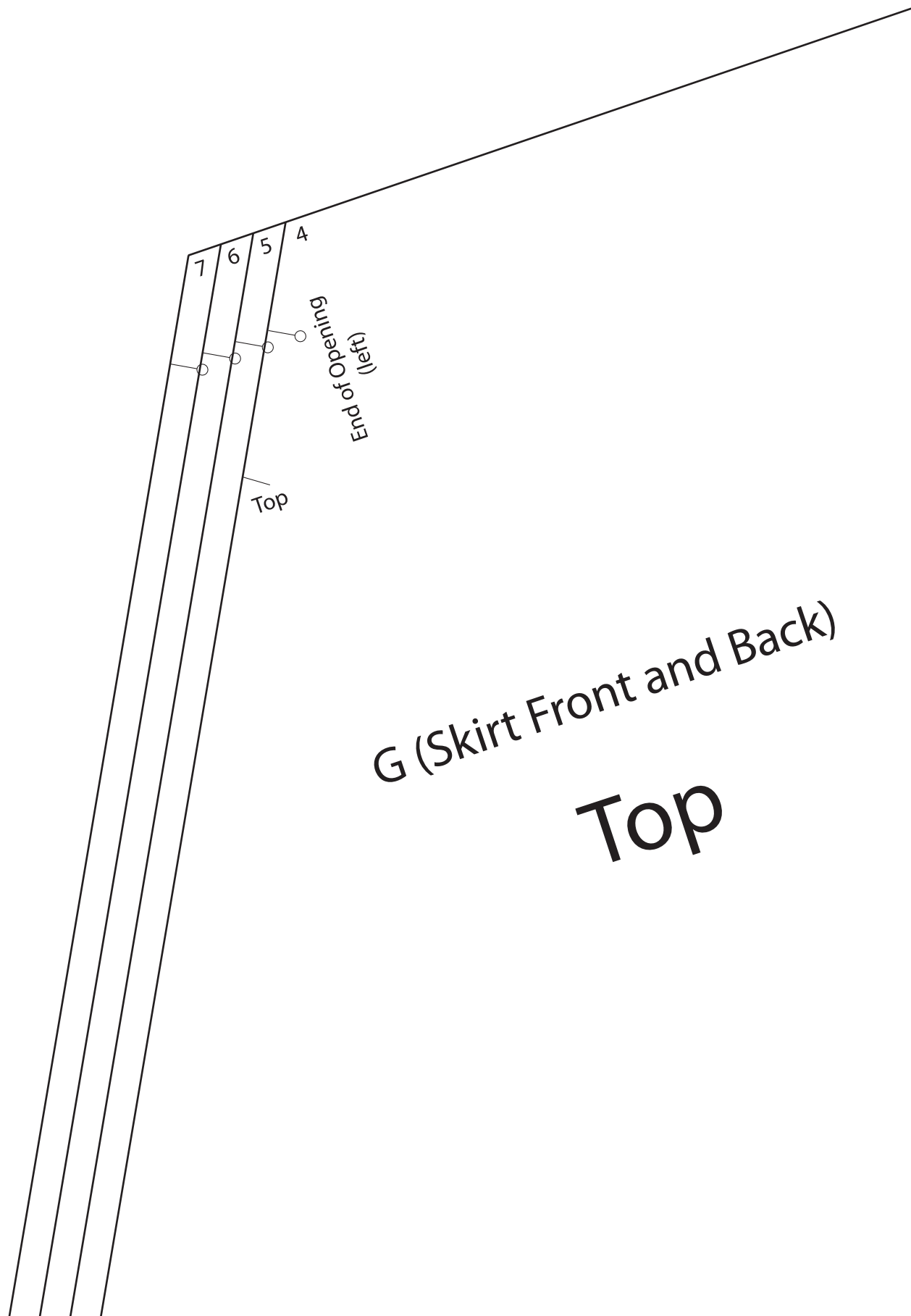
Natural Cotton Skirt



From *Carefree Clothes for Girls* by UONCA, copyright © 2007.
Published by Trumpeter Books, an imprint of Shambhala Publications.
www.makegoodbooks.com



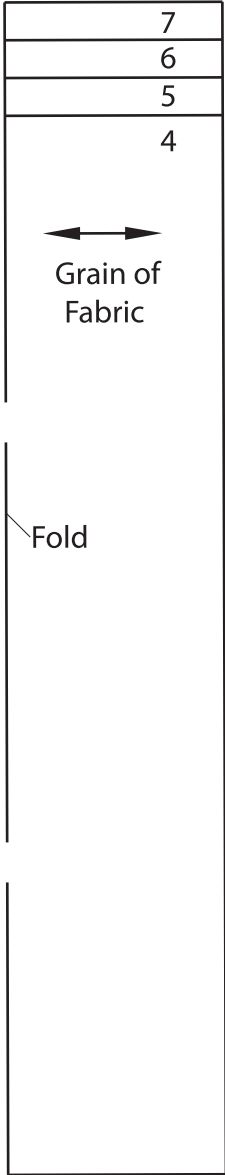
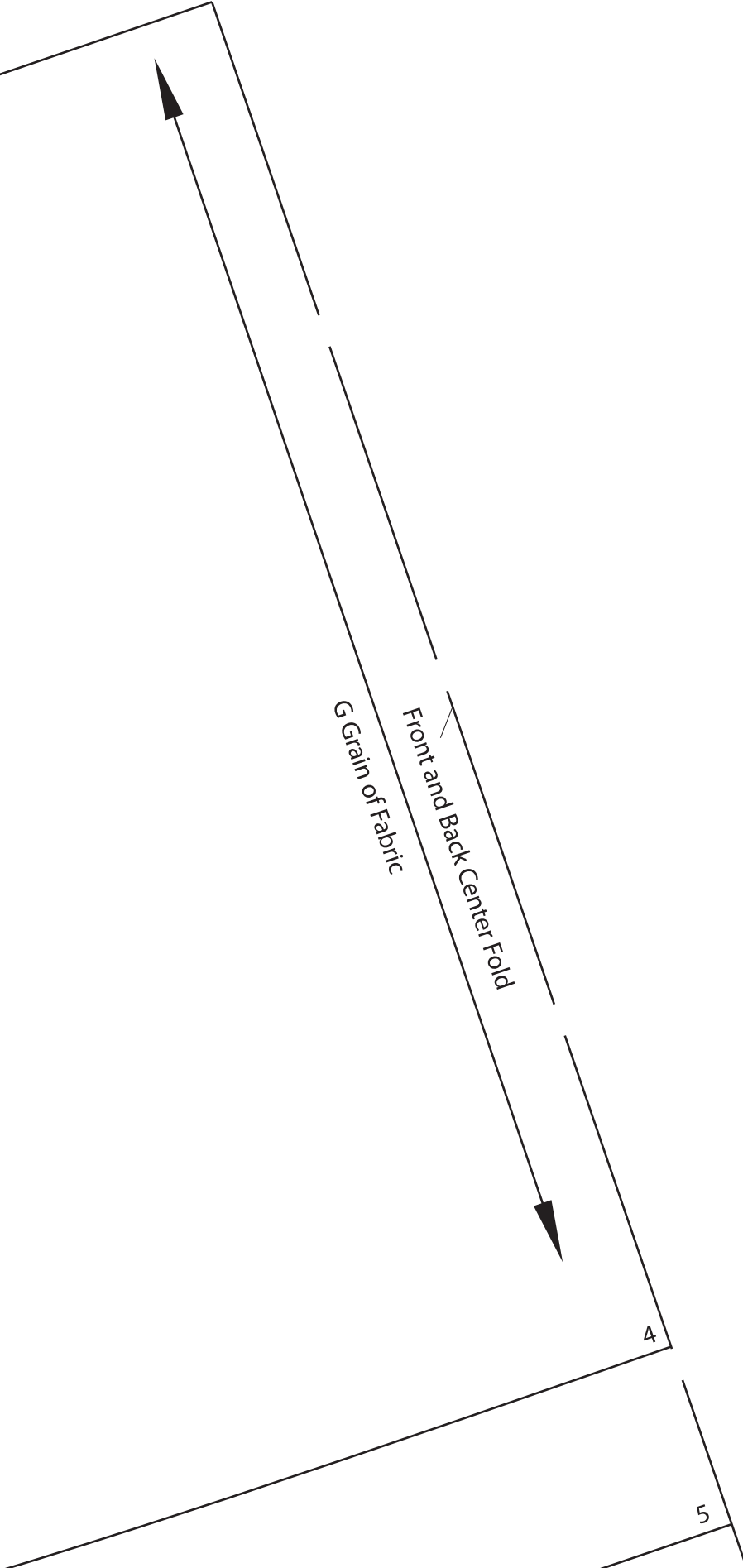
This pattern is designed to print on 8½" x 11" paper. Use this map to assemble the pattern in the correct order. Align the pattern along the edges of each page, rather than connect the pattern lines themselves—lines may not extend to the edge of the page when printed.

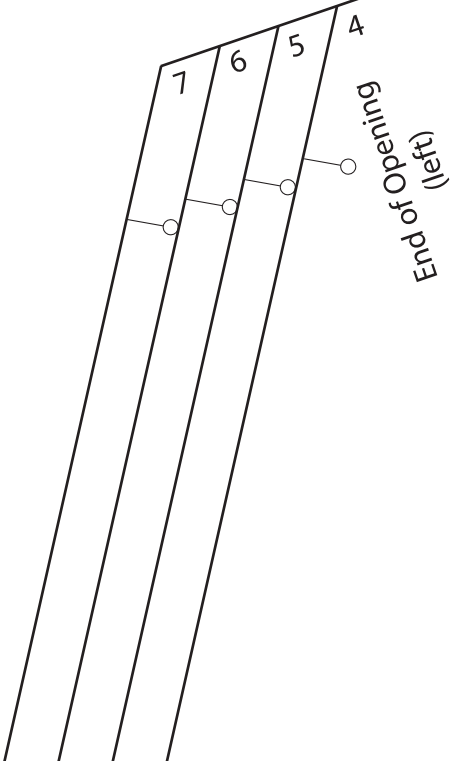
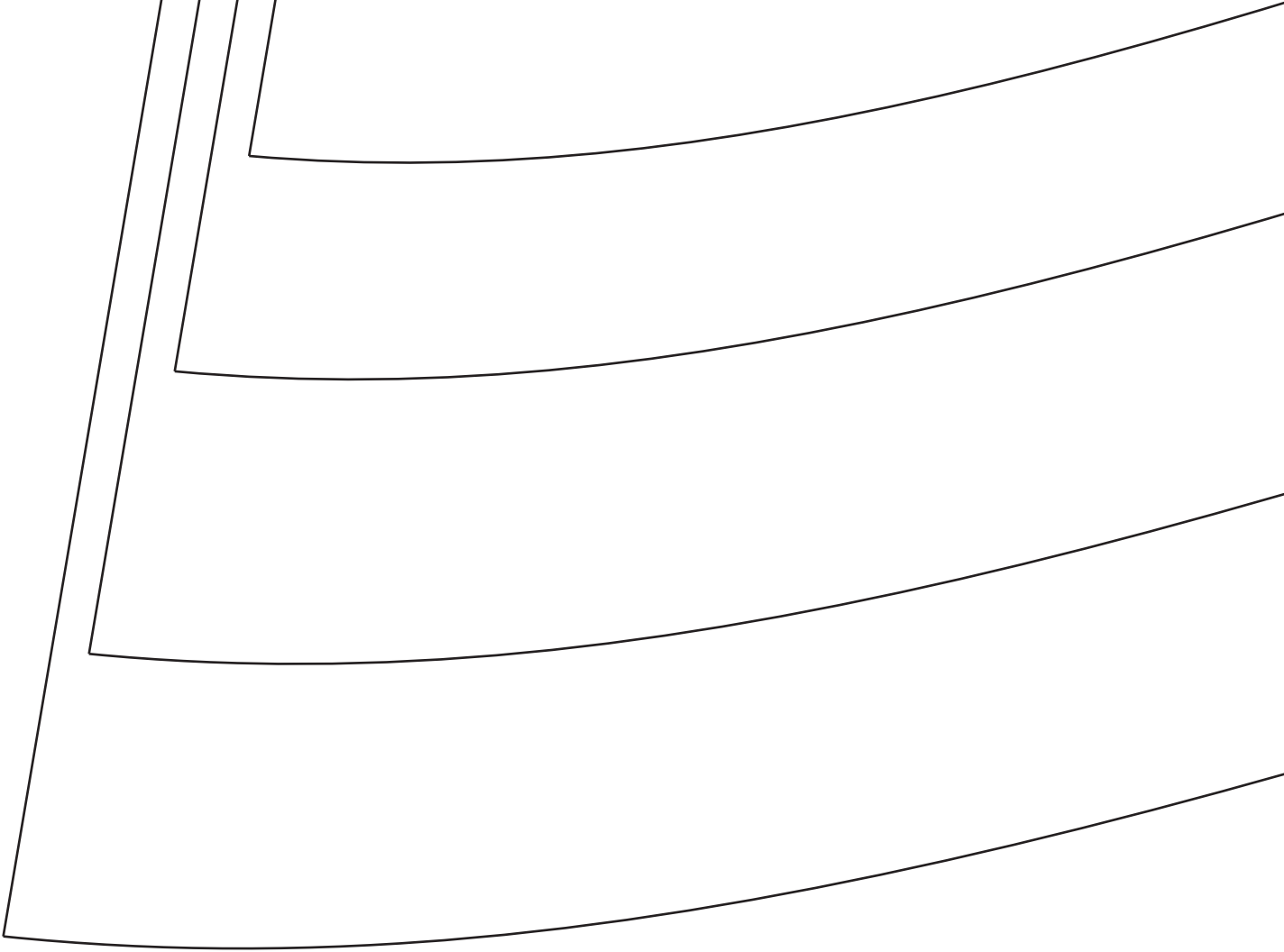


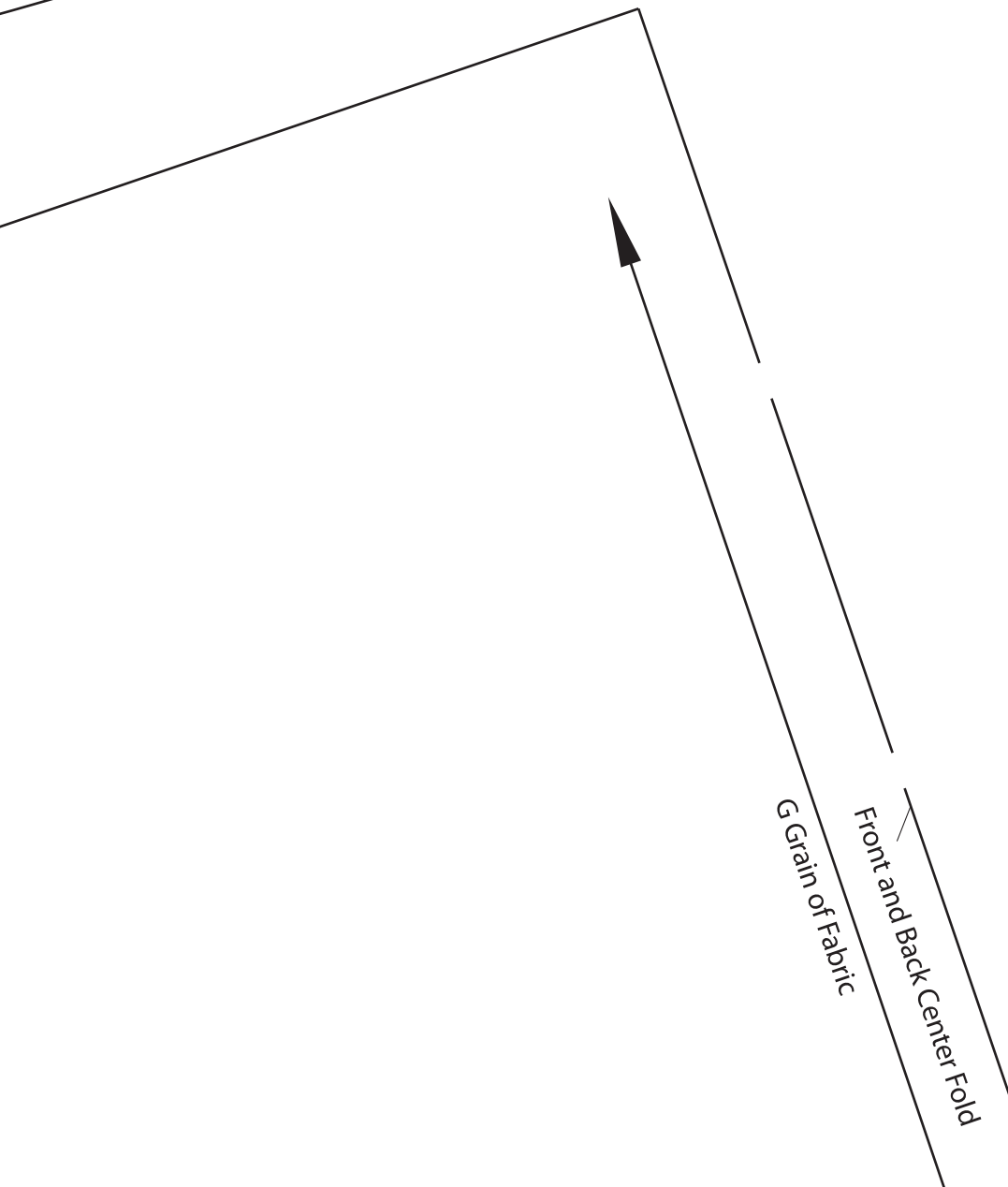
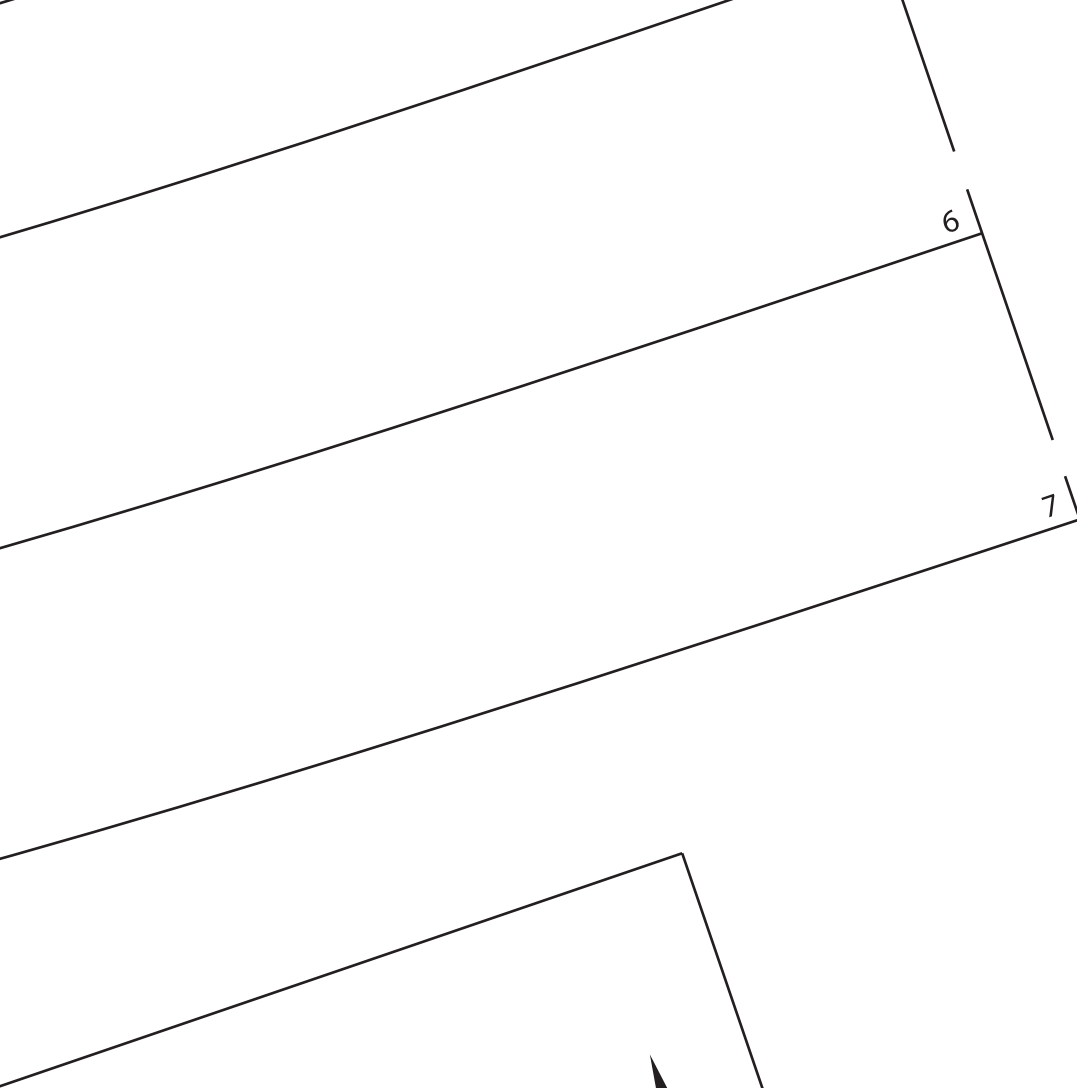
G (Skirt Front and Back)

Top

G (Facing)

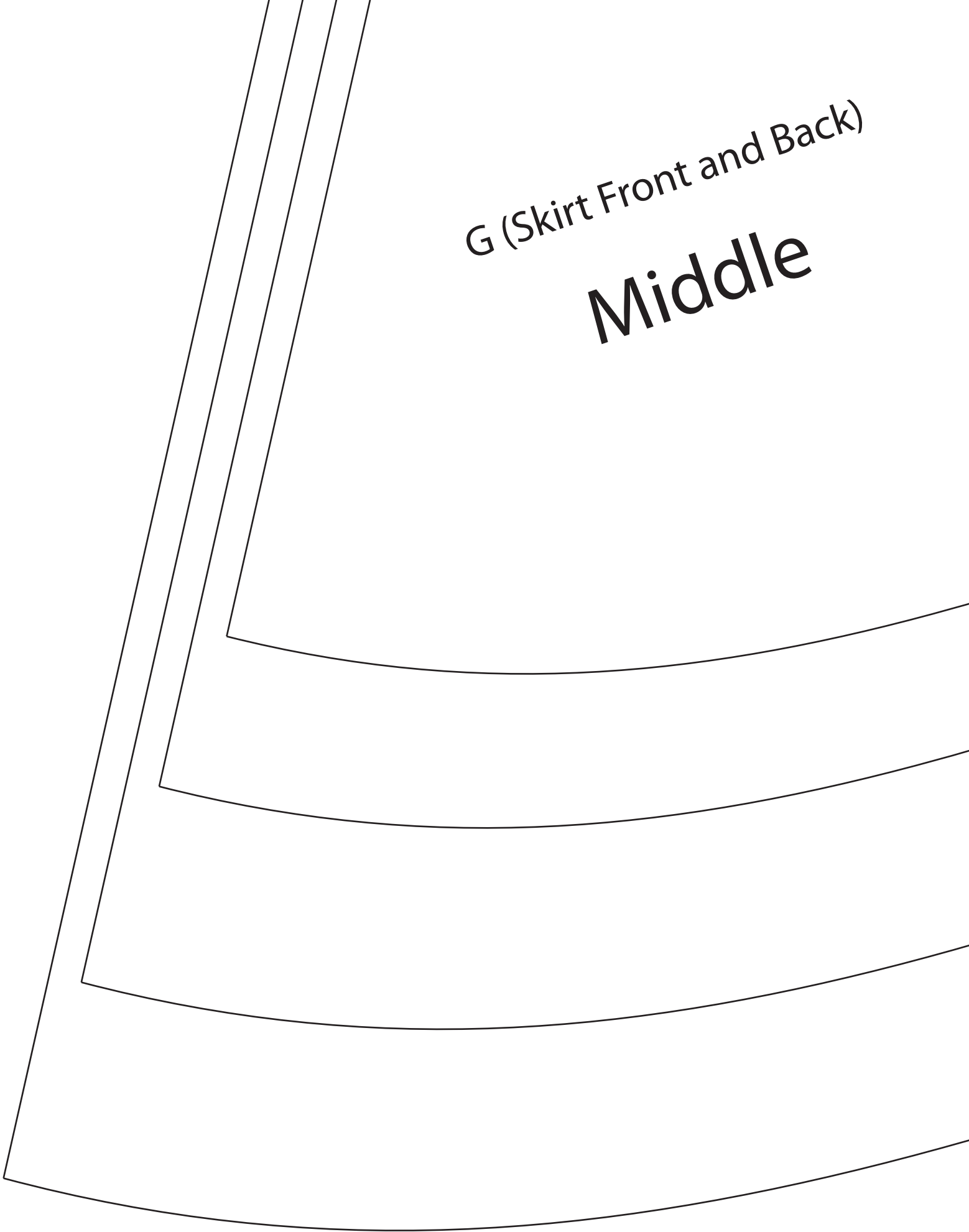


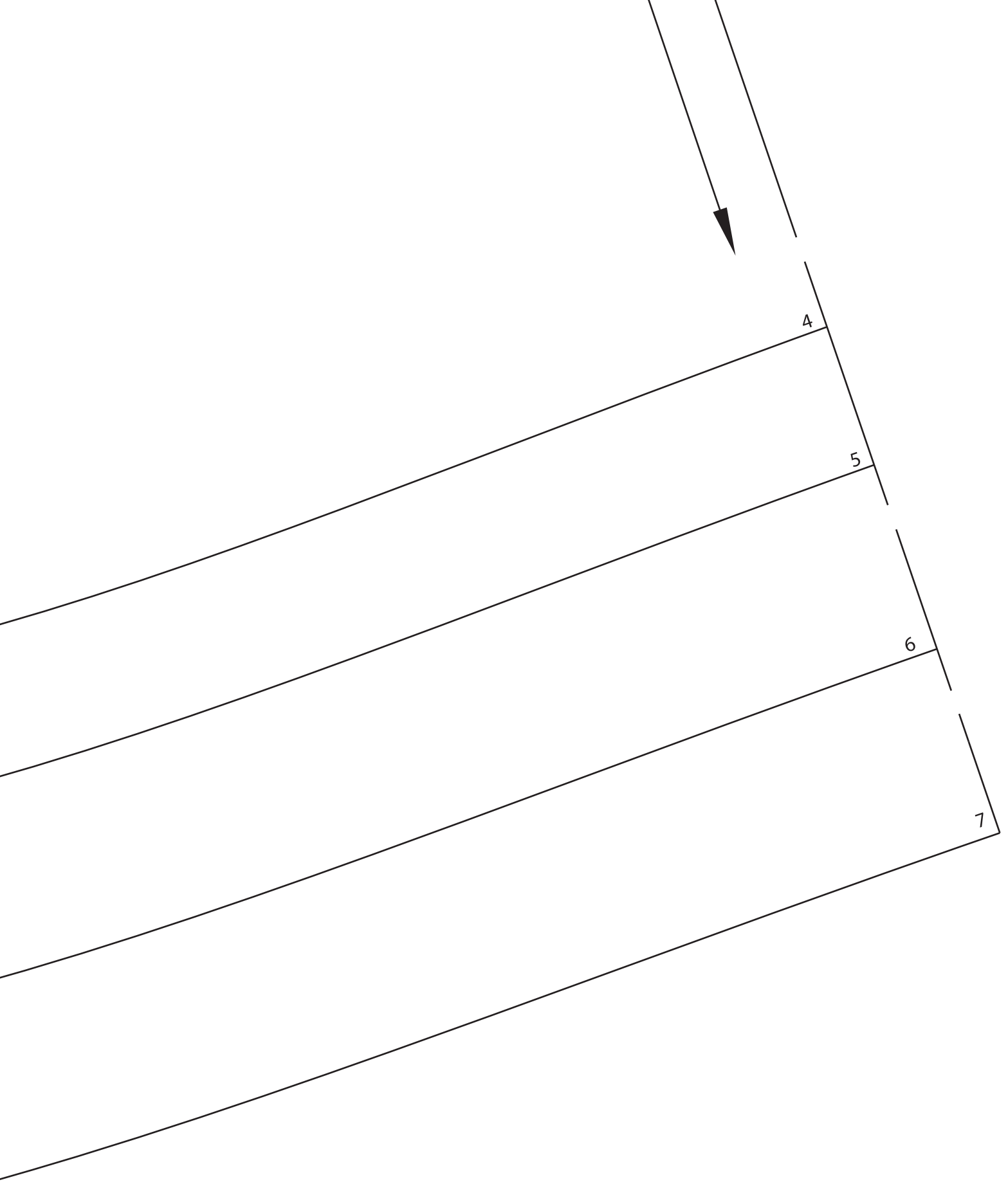


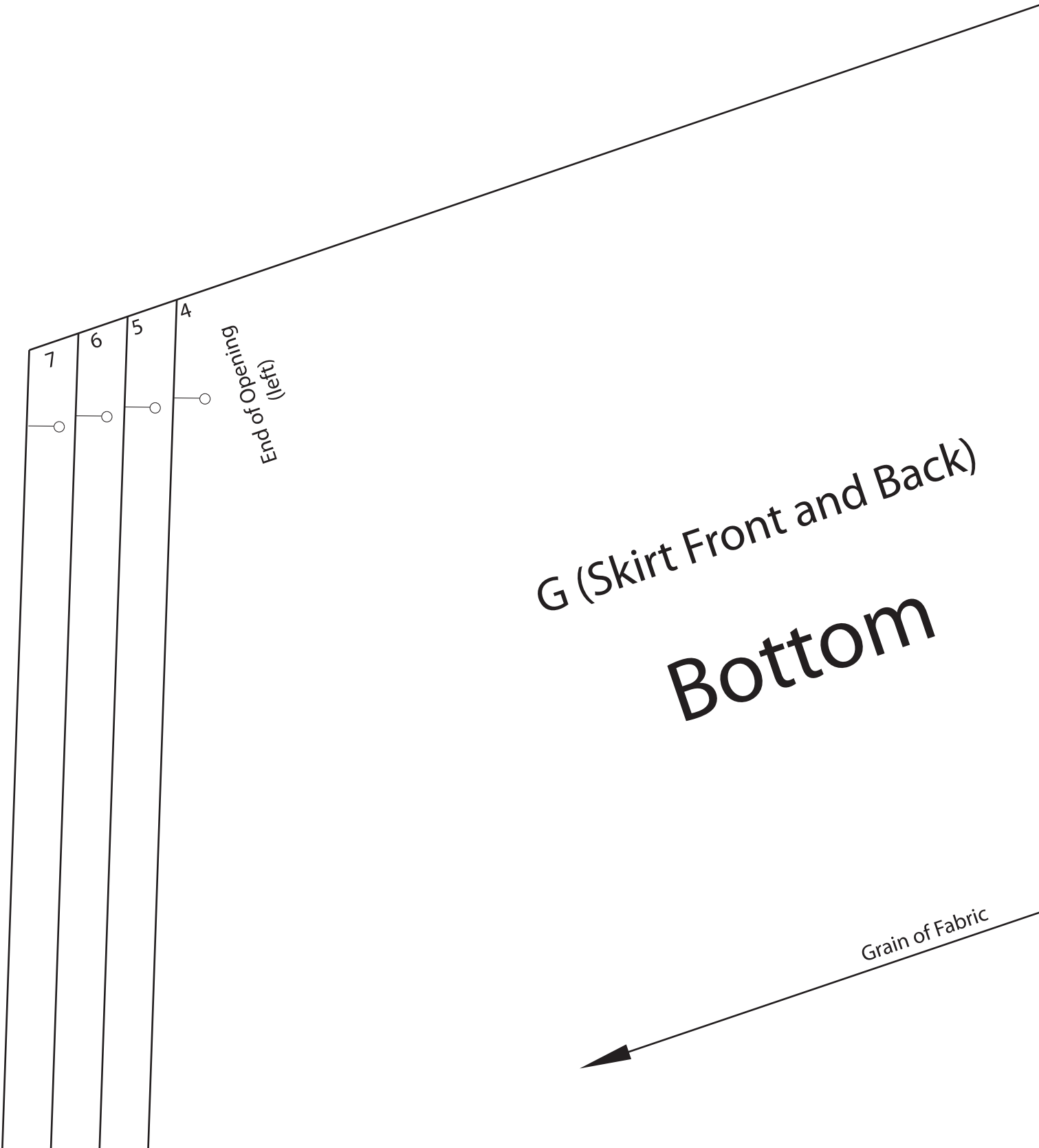


G (Skirt Front and Back)

Middle







7

6

5

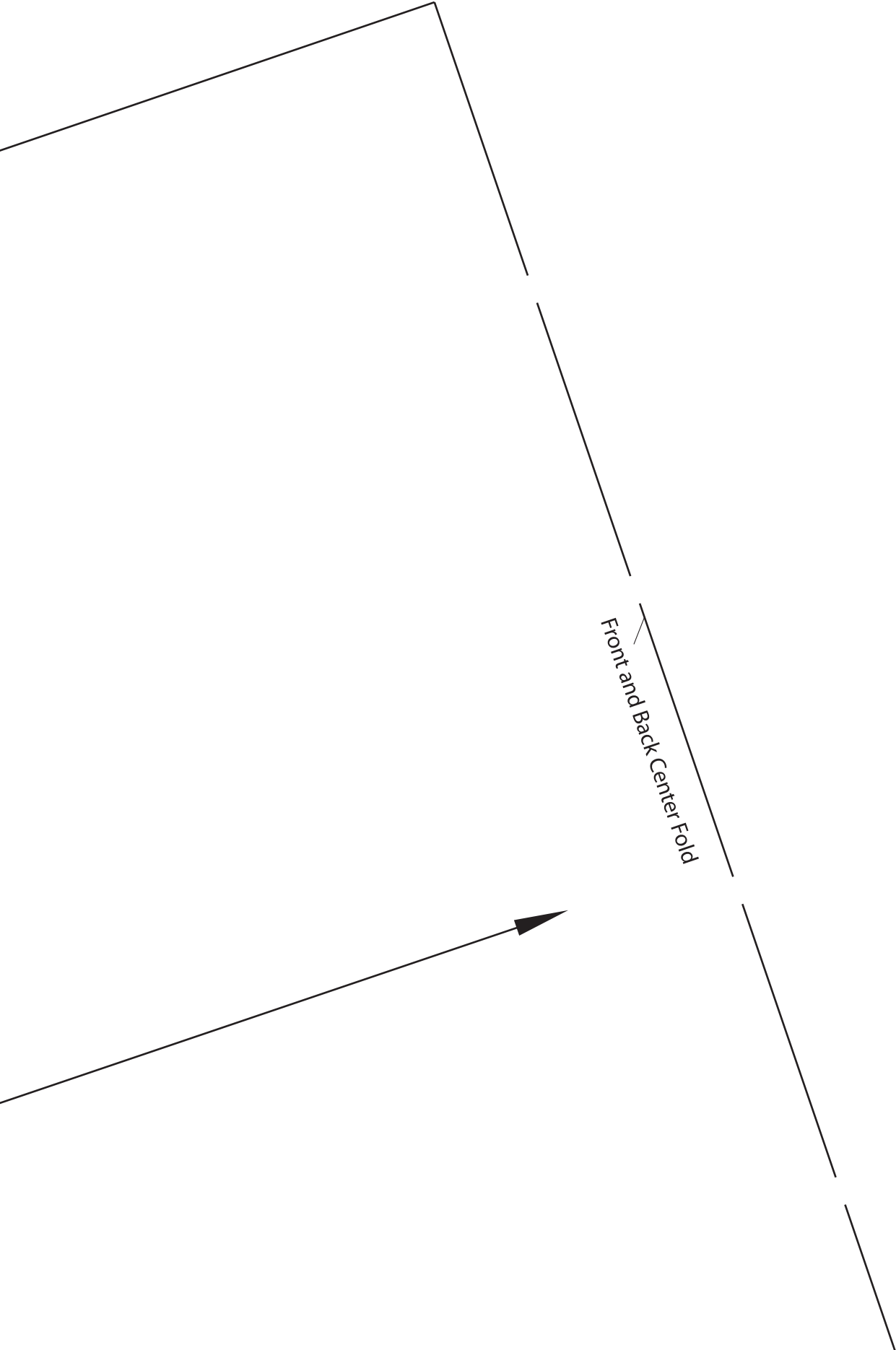
4

End of Opening
(left)

G (Skirt Front and Back)

Bottom

Grain of Fabric



Front and Back Center Fold

